



FUNCTION

Needham's new spring loaded boom skis mount to the sprayer boom to help protect stream bars and other nozzles, especially when working on rolling ground or terraces. Its universal mount fits most booms but some preassembly planning is required to best attach the boom ski to your boom.

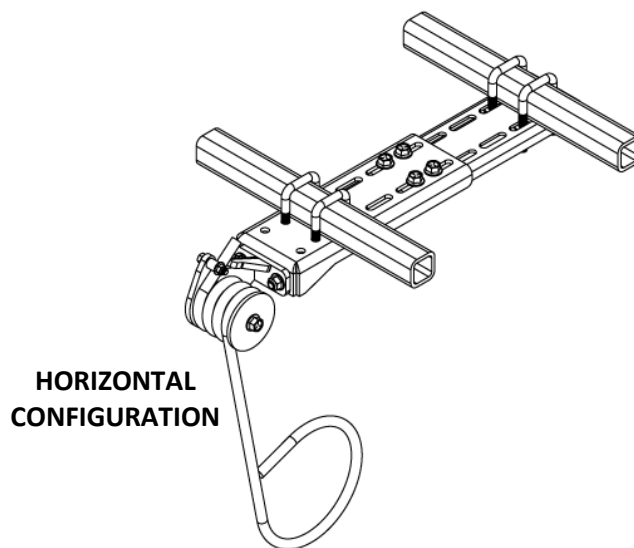
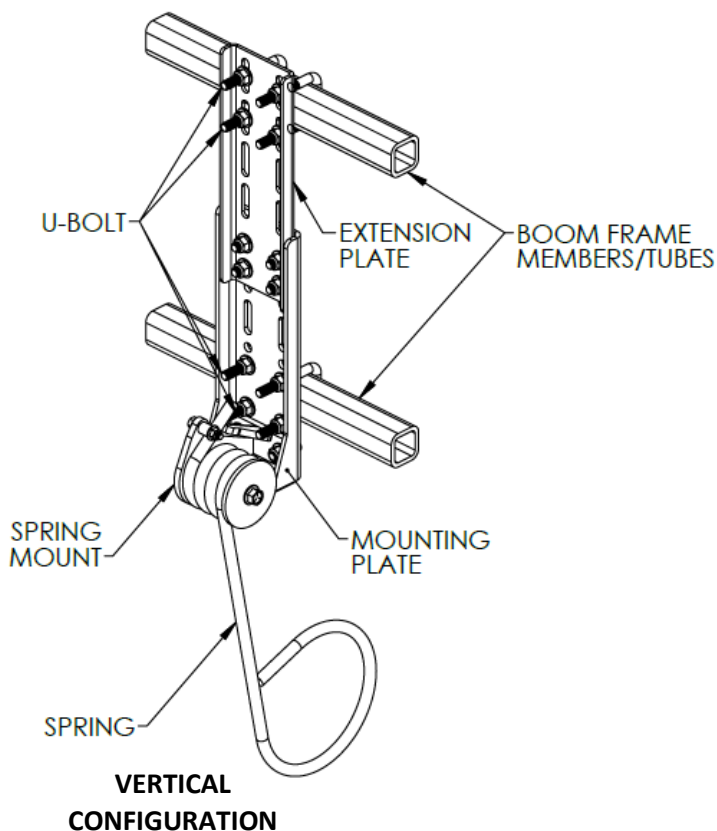
INSTALLATION

Tools Required:

- Tape Measure
- 3/4" Combination Wrench
- 3/4" Deep Socket
- 9/16" Combination Wrench
- 9/16" Socket
- Ratchet or Impact Driver

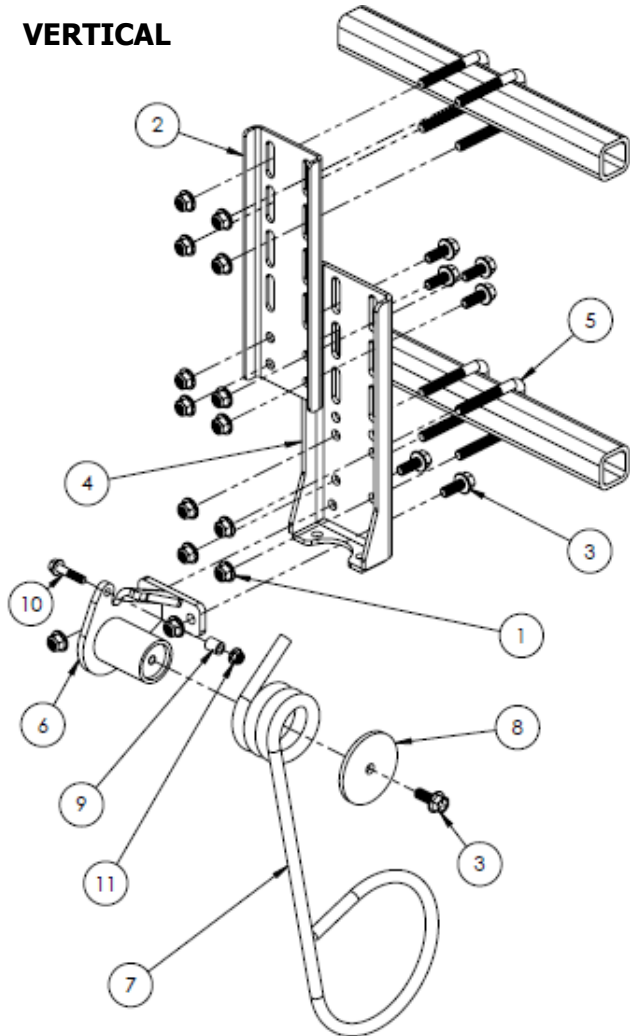
Instructions:

1. Pick the mounting configuration that best fits the boom ski assembly on your boom. Consider fit, clearance, and proper function when making this decision.
2. Measure the distance between the centers of your boom frame members. If the distance is over 8 inches, use the EXTENSION PLATE as shown. It is recommended that you attach to 2 tubes.
3. Attach the boom ski MOUNTING PLATE using the U-BOLTS provided. Use round u-bolts for round tubes, and square u-bolts for square or rectangular tubes.
4. Attach spring and corresponding SPRING MOUNT so that the spring is orientated down and angled rearward. Install retaining hardware and tighten.
5. Fold and unfold boom being careful to watch for clearances. Reposition as needed.

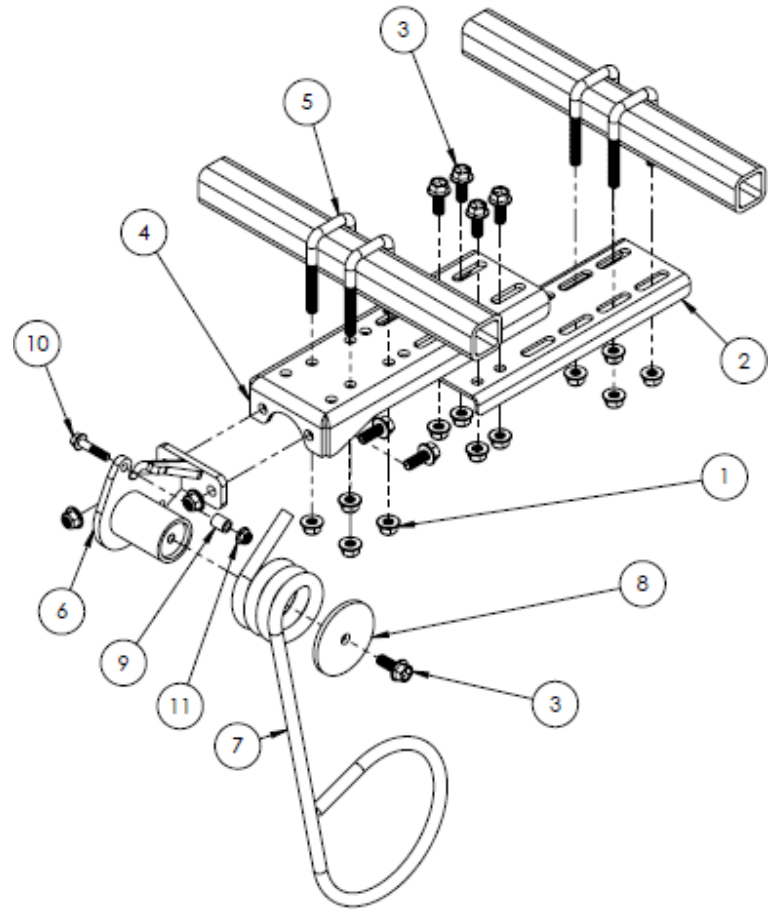




VERTICAL



HORIZONTAL



ITEM	PART NO.	DESCRIPTION	QTY	REMARKS
				AR: AS REQUIRED
1	NA0088	1/2-13 HEX FLANGE LOCKNUT	14-AR	
2	NA0077	EXTENSION PLATE	1-AR	FOR LARGER BOOM SECTIONS
3	NA0131	1/2-13 X 1-1/4 HEX FLANGE BOLT	7-AR	
4	NA0078	MOUNTING PLATE	1	
5	NA0132	1/2-13 X 2 X 4 SQUARE U-BOLT	4-AR	FOR 2" OR SMALLER SQUARE TUBES
	NA0133	1/2-13 X 3 X 5 SQUARE U-BOLT	4-AR	FOR 3" OR SMALLER SQUARE TUBES
	NA0134	1/2-13 X 2 X 4 ROUND U-BOLT	4-AR	FOR 2" OR SMALLER ROUND TUBES
	NA0135	1/2-13 X 3 X 5 ROUND U-BOLT	4-AR	FOR 3" OR SMALLER ROUND TUBES
6	NA0141	SPRING MOUNT BRACKET	1	
7	NA0142	SPRING	1	
8	NA0143	CAP PLATE	1	
9	NA0146	3/8 ID X 3/4 SPACER	1	
10	NA0147	3/8-16 X 1-3/4 HEX FLANGE BOLT	1	
11	NA0148	3/8-16 HEX FLANGE LOCKNUT	1	